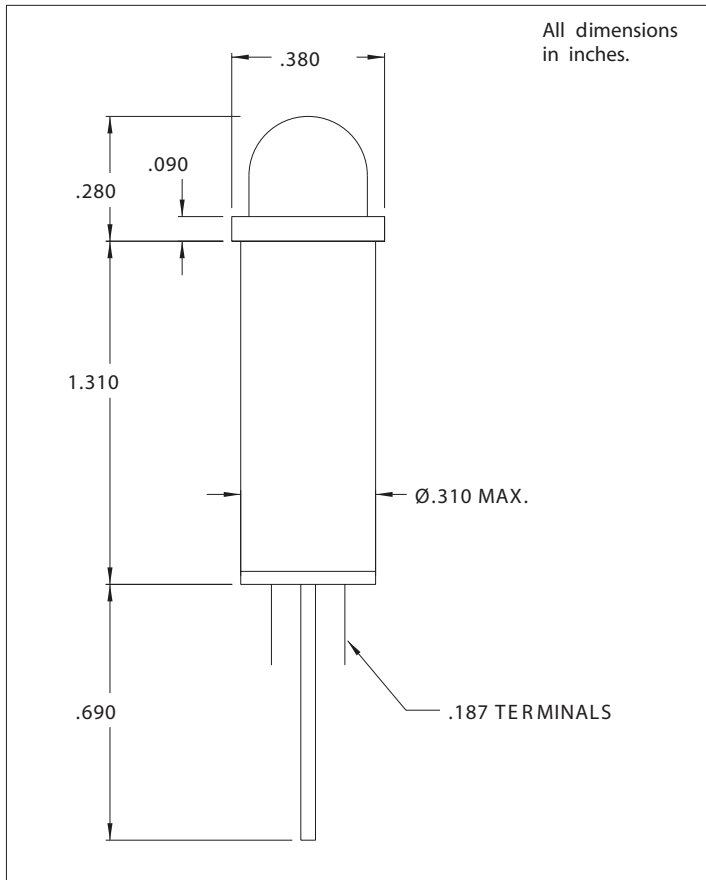


2191QU Series Non-Relampable LED Solid-State Indicator Lights

Description and Features



Solid-state indicator lights complete with built-in current-limiting resistor and rectifier diode.

Mounting: \varnothing .310 MIN., supplied with push-on speednut SN1287.

Terminals: Quick-connect, tinned brass .187 x .020

Lens: Polycarbonate

Anode(+): Marked above terminal

Bezel: Polished stainless steel.

Housing: White Nylon

| Lens Color | LED Solid State Indicator | |
|--------------------------|---------------------------|-----------------|
| | Model No. (12V) | Model No. (24V) |
| Red | 2191QU 1-12V | 2191QU 1-24V |
| Green | 2191QU 5-12V | 2191QU 5-24V |
| Yellow | 2191QU 7-12V | 2191QU 7-24V |
| Internal Resistor (ohms) | 390 | 1000 |

| Lens Color | Incorporates LED* |
|------------|-------------------|
| Red | 4304H1 |
| Green | 4304H5 |
| Yellow | 4304H7 |

* Also incorporates 1N4004 (400 P.I.V.) rectifier diode.

| Voltage Table | | |
|---------------|----------|-----------|
| Nominal | VAC | VDC |
| 12V | 10 to 20 | 6 to 13.5 |
| 24V | 22 to 32 | 12 to 24 |

To use 24V model: Beyond 32VAC add 30 ohms per volt; beyond 24 VDC add 50 ohms per volt. Use 1/2W resistor up to 50V; 1W resistor for 50V to 70V; 2W resistor for 75V to 125V. Do not use beyond 125V.